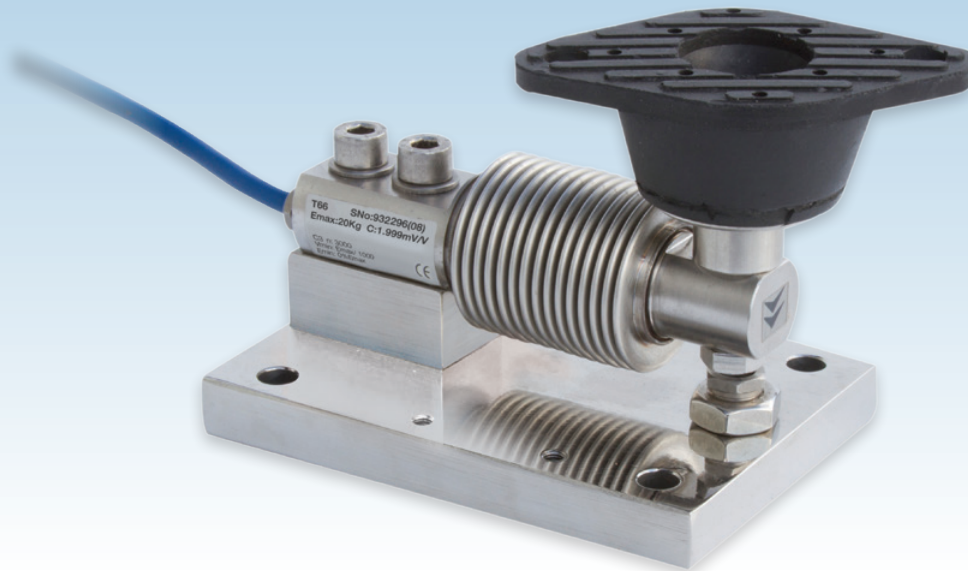


# ANTI-VIBRATION MOUNTS FOR HARSH INDUSTRIAL ENVIRONMENTS

capacities 5kg - 300kg



Ideal for applications with mixing, agitation and vibration, this stainless steel assembly is designed to reduce the vibration transmitted to the load cell. It is typically used in weighing platforms, big bag (FIBC) filling systems, belt weighers and hopper/tank weighing in the Food Processing, Chemical, Pharmaceutical and Bulk Handling industries.

The stainless steel, OIML C3 or C6 approved, model T66 load cell used in this anti-vibration weighing assembly is fully welded and hermetically sealed for protection to IP68 and IP69K, allowing it to be used in extremely harsh environments with exceptional accuracy. The assembly consists of a load cell, mounting hardware, baseplate and spacer (all stainless steel) with an elastomeric anti-vibration pad.

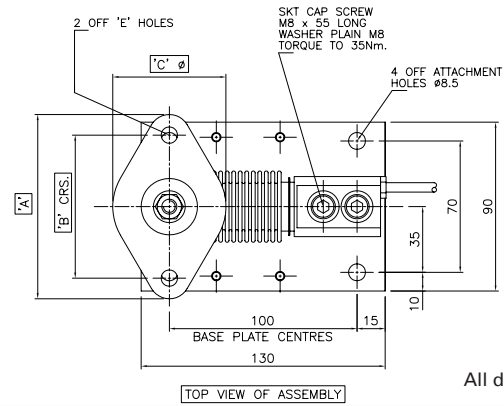
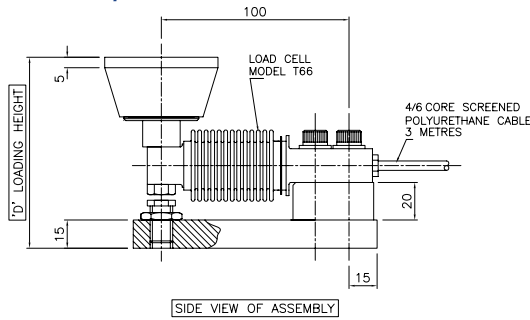
ATEX certification, for both gas and dust zones, is available for the T66 load cell. To reduce costs, certification for use in dust zones 20, 21 and 22 without safety barriers is available.

For applications in aggressive environments where stress corrosion or acid attack is an issue, a special Parylene coating for the load cell can be specified as an option. Other options are custom load cell cable lengths for volume OEM customers and a version for high temperature use.

- Stainless steel load sensor & mounting accessory
- Hermetically sealed, fully welded construction
- Simple, fast installation
- Sealed to IP68 / IP69K
- 3000 divisions OIML R60 Class C (C3)
- 5 year warranty
- High Integrity cable entry
- 6 wire cable (with sense wires) as standard
- High durability Polyurethane load cell cable
- Options of  approval, OIML C6 approval, Parylene coating or High Temperature use

# LA66

technical specification...



All dimensions in mm

## T66 Load Cell ATEX Certification

Code	Temperature Class	Parameters	Application
II 1 G D Ex ia IIC T4...T6 Da Ex ia IIIC T85°C Da Ex ta IIIC T85°C Da	T4	Pi = 2.5W	Gas Zones 0, 1, 2 <b>with</b> safety barriers
	T5	Pi = 2.5W	
	T6	Pi = 1.69W	Dust Zones 20, 21, 22 <b>without</b> safety barriers

## Dimensions

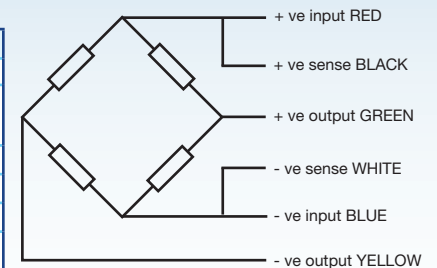
Capacity (kg)	A (mm)	B (mm)	C (mm)	D (mm)
5 - 50	79.4	60.3	44.5	95
75 - 300	98.4	76.2	60	103

## T66 Load Cell

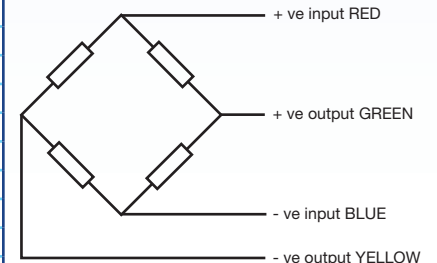
	Load cell specification		Units
	3000*	6000	n. OIML
Accuracy Class	5, 10, 20, 30, 50, 75, 100, 150, 200, 250, 300	50, 75, 100, 150, 200, 250	kg
Load Cell Capacity (E <sub>max</sub> )	2		mV/V ± 0.1 %**
Rated Output (S <sub>n</sub> )	< ± 0.017	< ± 0.008	% S <sub>n</sub>
Combined Error	< ± 0.015	< ± 0.01	% S <sub>n</sub>
Non-repeatability	E <sub>max</sub> / 10000	E <sub>max</sub> / 18000	kg
Minimum load cell verification interval (v <sub>min</sub> ) = E <sub>max</sub> / Y	< ± 0.016	< ± 0.008	% S <sub>n</sub>
Creep (30 minutes)	< ± 0.002	< ± 0.001	% S <sub>n</sub> / °C
Temperature Effect on Zero Balance	< ± 0.0012	< ± 0.0006	% S <sub>n</sub> / °C
Temperature Effect on Span	-10 to +40		°C
Compensated Temperature Range	-30 to +70		°C
Operating Temperature Range	200		% E <sub>max</sub>
Safe Overload	300		% E <sub>max</sub>
Ultimate Overload	< ± 2		% S <sub>n</sub>
Zero Balance	400		Ω ± 20
Input Resistance	350		Ω ± 3
Output Resistance	> 5000		MΩ @ 100V
Insulation Resistance	5-15		V
Recommended Supply Voltage	15		V
Maximum Supply Voltage	IP68 / IP69K		-
Environmental Protection	0.2-0.4		mm
Maximum deflection at E <sub>max</sub>	3		m
Cable Length	Polyurethane		-
Cable Material	4.5		kg
Nominal Shipping Weight (load cell and LA66)			

\* OIML C3 (3000 division) certificate approval from 10-250kg  
\*\* For 5-20kg capacity range, rated output (S<sub>n</sub>) tolerance is ± 0.2 %

### 6 Wire Connection (C3 or C6)



### 4 Wire Connection (C3 only) – on request



### Electrical Connections

Via 6 wire, 5.7mm diameter, screened Polyurethane cable. 4 wire version is available on request (for OIML C3 version only).  
Screen not connected electrically to load cell.

### Construction

T66 load cell, baseplate and mounting hardware: stainless steel  
Anti-vibration pad: elastomer (rubber)

DISTRIBUTED BY:



## THAMES SIDE SENSORS LTD

Unit 10, io Trade Centre, Deacon Way, Reading, Berkshire, RG30 6AZ, UK

tel: +44 (0) 118 941 1387  
fax: +44 (0) 118 941 2004

sales@thames-side.co.uk  
www.thames-side.com



Issue: LA66.05.18

Our policy is one of continuous product enhancement. We therefore reserve the right to incorporate technical modifications without prior notification.

