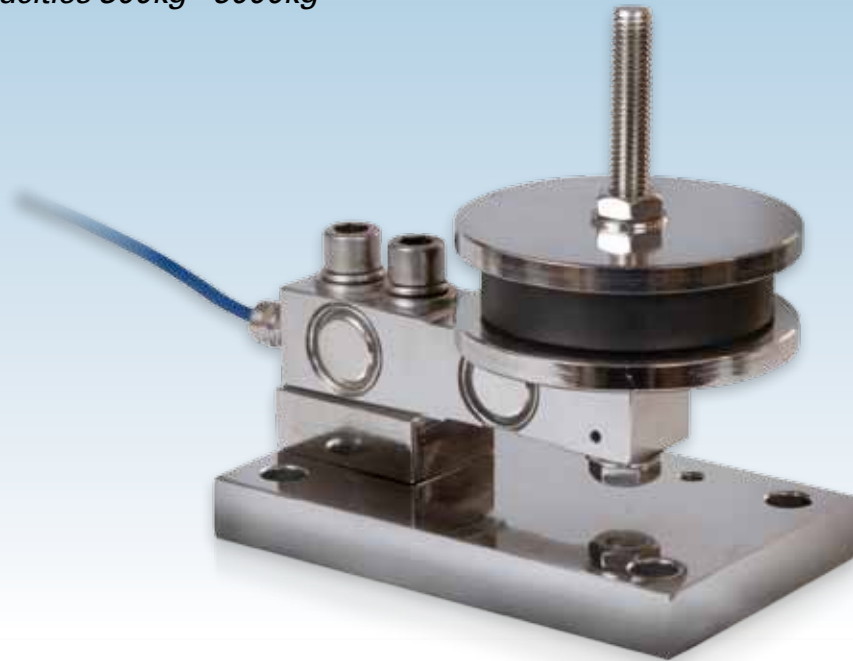


ANTI-VIBRATION MOUNTS FOR HARSH INDUSTRIAL ENVIRONMENTS

capacities 300kg - 5000kg




The fully welded stainless steel 350i load cells used in this anti-vibration mount are hermetically sealed to meet IP68 and IP69K and can be used in the harshest industrial environments.

These stainless steel mounts are suitable for weighing platforms, bag fillers, belt weighers and tank weighing in the Food Processing, Chemical, Pharmaceutical and general Bulk Handling industries.

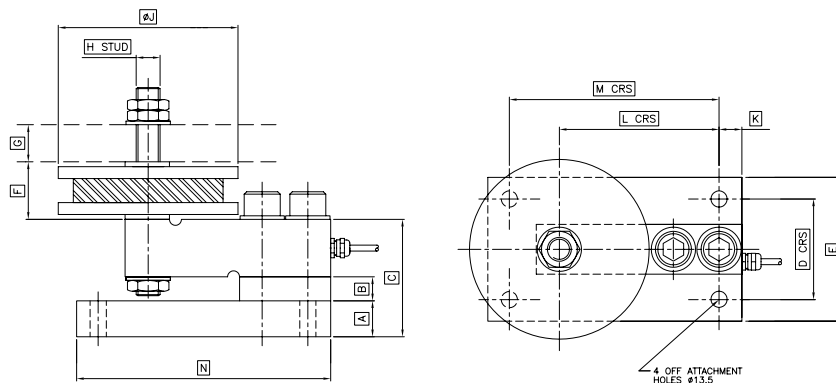
Available with intrinsically safe ATEX certification for use in both gas and dust zones. Certification for use in zones 20,21 and 22 without safety barriers is also available.

For applications in aggressive environments where stress corrosion or acid attack is an issue, a special parylene coating can be specified as an option, as can custom cable lengths for volume OEM customers.

- Stainless steel load sensor & mounting assembly
- Hermetically sealed, fully welded construction
- Ease of installation
- Sealed to IP68 / IP69K
- 3000 divisions OIML R60 Class C
- 5 year warranty
- High Integrity cable entry
- High durability PU cable
- Available in  version

LA350

technical specification...



Model LA350 ATEX Certification

| Code | Temperature Class | Parameters | Application |
|---|-------------------|------------|---|
| II 1 GD Ex ia II C T4..T6 Ga IP68 T85°C Ex ia IIIC T135°C T85°C Da Ex ta IIIC T85°C Da | T4 | Pi = 1.3W | Gas Zones 0, 1, 2 with safety barriers Dust Zones 20, 21, 22 without safety barriers |
| | T5 | Pi = 0.8W | |
| | T6 | Pi = 0.53W | |

Dimensions

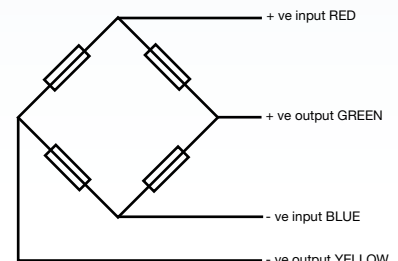
| Range (kg) | 300 - 2000 | 3000 - 5000 |
|------------|------------|-------------|
| A | 20 | 30 |
| B | 20 | 20 |
| C | 71.5 | 98 |
| D | 70 | 84 |
| E | 100 | 120 |
| F | 41 | 44 |
| G | 0-35 | 10-35 |
| H | M12 | M20 |
| J | 100 | 150 |
| K | 16 | 19 |
| L | 101.6 | 133.3 |
| M | 136 | 175 |
| N | 168 | 212 |

350i Load Cell

| | Load cell specification | Units |
|---|---|----------------|
| Load Cell Capacities | 300, 500, 750, 1000, 1500, 2000, 3000, 5000 | Kg |
| Rated Output | 2 | mV/V +/- 0.25% |
| Accuracy Class | 3000 | n.OIML |
| Combined Error | < +/- 0.017 | %* |
| Non-repeatability | < +/- 0.015 | %* |
| Creep (30 minutes) | < +/- 0.016 | %* |
| Temperature Effect on Zero Balance | < +/- 0.002 | %* / °C |
| Temperature Effect on Span | < +/- 0.0012 | %* / °C |
| Compensated Temperature Range | -10 to +40 | °C |
| Operating Temperature Range | -20 to +70 | °C |
| Safe Overload | 150 | %* |
| Ultimate Overload | 200 | %* |
| Zero Balance | < +/- 2 | %* |
| Input Resistance | 400 | Ω +/- 30 |
| Output Resistance | 350 | Ω +/- 1.5 |
| Insulation Resistance | > 5000 | MΩ @ 100V |
| Recommended Supply Voltage | 10 | V |
| Maximum Supply Voltage | 15 | V |
| Environmental Protection | IP68 / IP69K | |
| Cable length | 5 | m |
| Cable Material | Polyurethane | |
| Nominal Shipping Weight (300 - 2000kg) | 6.1 | kg |
| Nominal Shipping Weight (3000 - 5000kg) | 11.9 | kg |

*With respect to rated load

Dimensions in mm



Electrical Connections

Via 4 wire, 5.7mm diameter, screened polyurethane cable.

Screen not connected electrically to load cell.

Construction

Load Cell manufactured from 17-4PH stainless steel. Base and mount components manufactured from stainless steel.

DISTRIBUTED BY:



THAMES SIDE SENSORS LTD

Unit 10, io Trade Centre, Deacon Way, Reading, Berkshire RG30 6AZ

tel: +44 (0) 118 941 1387

fax: +44 (0) 118 941 2004

sales@thames-side.co.uk

www.thames-side.com



Issue: LA350.07.13

Our policy is one of continuous product enhancement. We therefore reserve the right to incorporate technical modifications without prior notification.

